

YHQ15 EX-PROOF INTELLIGENT CAMERA

FEATURES

- Advanced intelligent ex-proof camera
- Stainless steel material
- Ceiling or stand installation
- High definition camera and wide zoom lens
- Multi-protocol
- 360°pan turning
- 90°tilt turning
- Indoor and outdoor for all weather use
- Preset positioning and auto-tour monitoring
- High performance with competitive price



DESCRIPTION

YHQ15 as a advanced monitoring equipment, integrated with traditional ex-proof equipment and intelligent dome advantage, has made monitoring in explosive area to a new era.

Inside with high definition integrated colour camera, 23X zoom lens, 10x electrical, low lux technique, colour/black white auto change, with wide dynamic function, number image up/down, image freeze etc

Integrated with multi-protocol and communication rate to response all kinds of orders

Supply voltage 220VAC.

35°/sec pan turning speed, 360° pan continuing turning;
35°/sec tilt tuning speed, 90° tilt turning

To adjust pan/tilt speed according to lens location and to keep a clear picture

With 64 preset prepositions, including pan. tilt and lens

Working under -25°C to +60°C longtime stably

Its mounting could be ceiling, indoor and outdoor stand

SUGGESTED EQUIPMENTS

YH-Jxd Ex-proof Junction Box

KJ2028E/D Ex-proof Control Box



CHANGZHOU YUHUA ELECTRIC EQUIPMENT MANUFACTURING CO.LTD
ADDRESS: No 60 Hehuan Road, Zhonglou Development Zone, Changzhou Jiangsu, China
TEL: 86-519-3978591 POSTAL: 213023
FAX: 86-519-3978970 WEB: <http://www.cyh.com.cn>

2006.10

VER: 1.1



YHQ15 EX-PROOF INTELLIGENT CAMERA

CERTIFICATE

| | |
|-------------|--|
| Ex-marking | Exd II CT6 (NO ETHYNE) EExd II B+H2T6 |
| Certificate | CNEx04.1111X Nemko 05ATEX1208 |
| License | XK06-123-00251 |

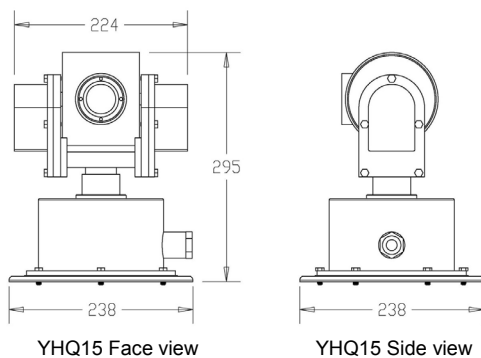
MECHANICAL

| | |
|--------------------|--------------------|
| Material | 1Cr18Ni9Ti or 316L |
| IP | IP65 |
| Pan | 360° continuing |
| Tilt | 0~90° |
| Pan speed | 35°/S |
| Tilt speed | 35°/S |
| Weight/ship weight | |
| YHQ15 | 16Kg / 20Kg |
| YHQ15-3 | 18Kg / 22Kg |
| Mounting | Ceiling or stand |

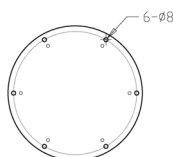
ENVIRONMENTAL

| | |
|--------------|--------------|
| Air pressure | 86~106KPa |
| Temperature | -25℃~+60℃ |
| Humidity | ≤95%RH(+25℃) |

DIMENSIONS



MOUNTING SIZE



YHQ15 bottom fixing hole
on dia. 216mm round

Unit: mm.

ELECTRICAL

| | |
|-------------------|--|
| Input voltage | 220VAC, 50/60Hz |
| Scope | ±10% |
| Current | ≤100mA |
| Power consumption | <24W |
| Communication | RS-485 |
| Speed rate | multi, could be set |
| Protocol | multi, could be set |
| Presets | 64 |
| Preset accuracy | ≤0.5° |
| Video out | Composite, 1.0Vp-p / 75Ω |
| Tour function | 45°、90°、180° optional |
| | Customer to set |
| Connection | 6-core composite cable for video, power and control |

CAMERA SPECIFICATION

| | |
|-----------------------|--|
| Mode | NTSC, PAL |
| Scanning system | Progressive scanning |
| Image sensor | 1/4" SONY CCD |
| H/V scan frequency | 15.625KHz / 50Hz |
| Effective pixels | Resolution: 795(H) x 596(V) |
| Built-in Lens | High performance 23X optic zoom Lens Auto focus / F1.6, f=3.6~82.8mm |
| Min focus | 0.01m (Wide) / 1.0m (Tele) |
| View angle | 54° (Wide) / 2.5° (Tele) |
| Maximum sensitivity | 0.1Lux (Color) / 0.02Lux (Black) |
| Horizontal resolution | 480TV lines (Color) / 600TV lines (B/W) |
| SNR | > 50dB |
| Video output | Composite, 1.0Vp-p, 75Ω, BNC |
| Sync system | Internal Sync / External Sync |
| Digital zoom | 10x Zoom |
| Focus | Auto / Manual |
| White balance | Auto / Manual |
| Electric shutter | Auto: 1/50~1/4000s Manual: 1/1.5~1/30000s |
| Frame gather | Manual: 2*, 4*, 6*, 10*, 16*, 32* |
| Iris control | Auto / Manual |
| Special | Auto color/monochrome / Wide dynamic range Digital image reverse / Image freeze |